

## Dial type Float Level Gauge

Open or closed tanks.  
Limit switches as Microswitch or proximity switch.  
Potentiometric remote control.

Product group **748**

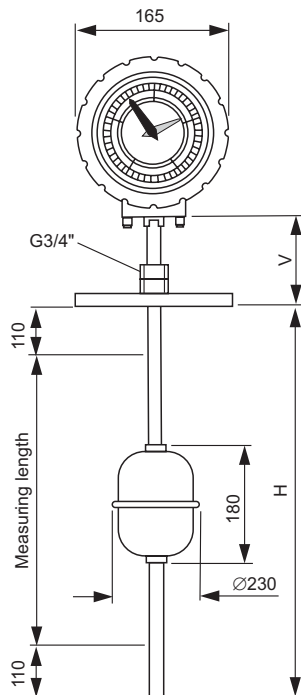
Type **205X**

Sheet: 1/1

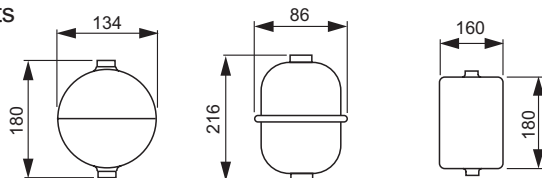
Revision: 2

Date:

11/04



### Floats



Dimensions in mm

### Field of application

This float level gauge Type 748.205X is for measuring liquid levels via a drag float and a wire which operates a mechanical mechanism. It is designed to work with a broad range of pressure and densities in zone 0, 1 and 2.

### General Data

Accuracy: +0.2 %  
Non-linearity/special: max. +0.5/0.3 %  
Measuring length max.: 5 000 mm  
Mounting position: vertical  
Flange: from DN100/PN 6 - 25, DIN, ANSI

### Design Data

T Proc  
- normal version: -50...+150 °C  
- special version: -150...+350 °C  
P Proc: max. 2.2 MPa  
Density: from 0,6 to 1.9 g/cm<sup>3</sup>  
Material  
- flange, guide pipe: SS  
- float: SS, PP  
- dial housing: cast Aluminium  
Ex-protection class: II 2G EEx d IIB T6

### Electrical Data

#### Micro switch

- Switch voltage: 250 V AC  
- Switch current: 2 A AC

#### Proximity switch

- power supply: 10...30 VDC  
- switch current: 100 mA  
- frequency: 3000 Hz  
- output: pnp/npn transistor

#### Analogue Output

- power supply: 230/24 VAC/24 VDC  
- output: 4...20 mA  
- burden: 50...500 Ω  
- Ex-protection class: II 1G EEx ia IIB T4  
Ingress protection: IP65

### Float table

Type	134/180	82/216	160/180
Material	SS	SS	PP
Pressure max.	2.2 MPa	2.2 MPa	1.0 MPa
Density	0.7...1.64 g/cm <sup>3</sup>	0.95...1.64 g/cm <sup>3</sup>	0.92...1.64 g/cm <sup>3</sup>

### Certificates

Transmitter: FTZU 02 ATEX 0226X  
Ex d Gehäuse: FTZU 02 ATEX 0139X

Subject to alterations

### Ordering no.

7	4	8	.	2	0	5	X	-	X	X				X	X	X	-	X	X	X	X	-	Length in mm				
																							X	X	X	s. MG Flange	Flange connection
Pro-tection	Standard	1	A	0	Analogue output 4...20 mA	Output																					
	Ex	2	C	1	Analogue output and 1 contact																						
			S	X	Contacts, X=number (max. 5)																						

### PHÖNIX

Messtechnik GmbH  
Salzschlirfer Straße 13  
D-60386 Frankfurt/M.  
Tel. +49/69/41 67 42 -20  
Fax +49/69/41 67 42 -29  
sales@phoenix-mt.com  
www.phoenix-mt.com